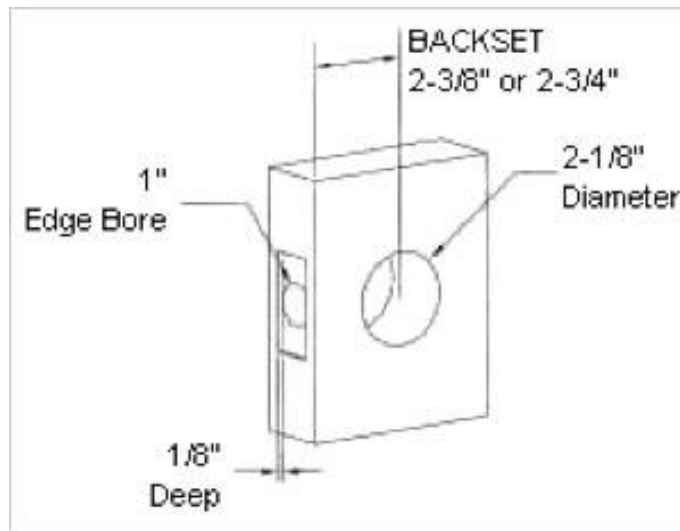


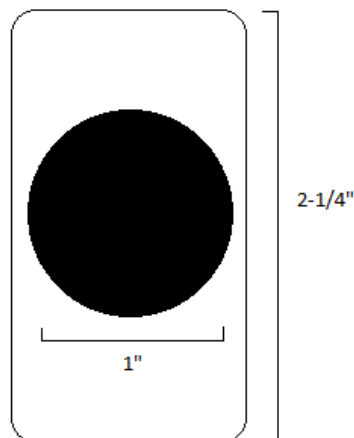


STANDARD DOOR PREPARATION MEASUREMENTS

Most interior doors are prepped with one set of bore holes. The bore hole with the larger diameter is where the knob or lever is mounted. This standard size bore hole is 2 1/8" in diameter. Through the edge of the door, there is 1" cross bore that extends from the edge of the door through the knob bore hole. This cross bore is where the latch is installed.



The backset is the distance between the edge of the door and the center of the knob/lever bore hole. Backsets come in 2 standard sizes: 2-3/8" and 2-3/4". If your door is pre-bored, you must know the backset measurement in order to pick the proper sized locks and latches.

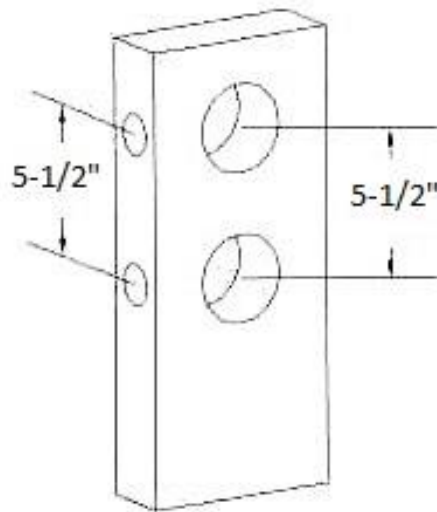


Face plates come with rounded or squared corners and are generally sized 2 1/4" x 1". Door edges need to be mortised 1/8" deep for the plate to be flush with the edge of the door.



STANDARD DOOR PREPARATION MEASUREMENTS

For a door with both a door knob and a deadbolt, standard preparation includes two sets of bore holes and cross bores stacked on top of each other at 5 1/2" from center to center. The preparation for the deadbolt should be exactly the same as the preparation as the knob/lever and latch with a 2-1/8" diameter bore hole and a 1" cross bore.



If you have any questions or if your door is prepped for hardware that won't fit the standard door preparation described, please call us at (866)-958-8626.